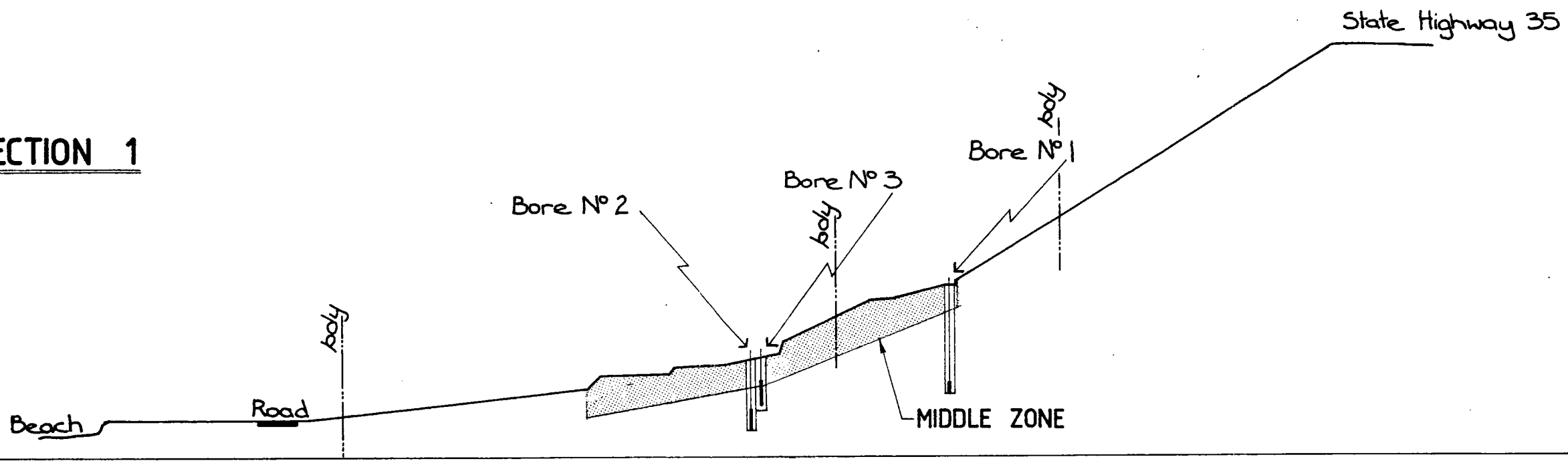


Original size 100 mm

metres
50
40
30
20
10
0

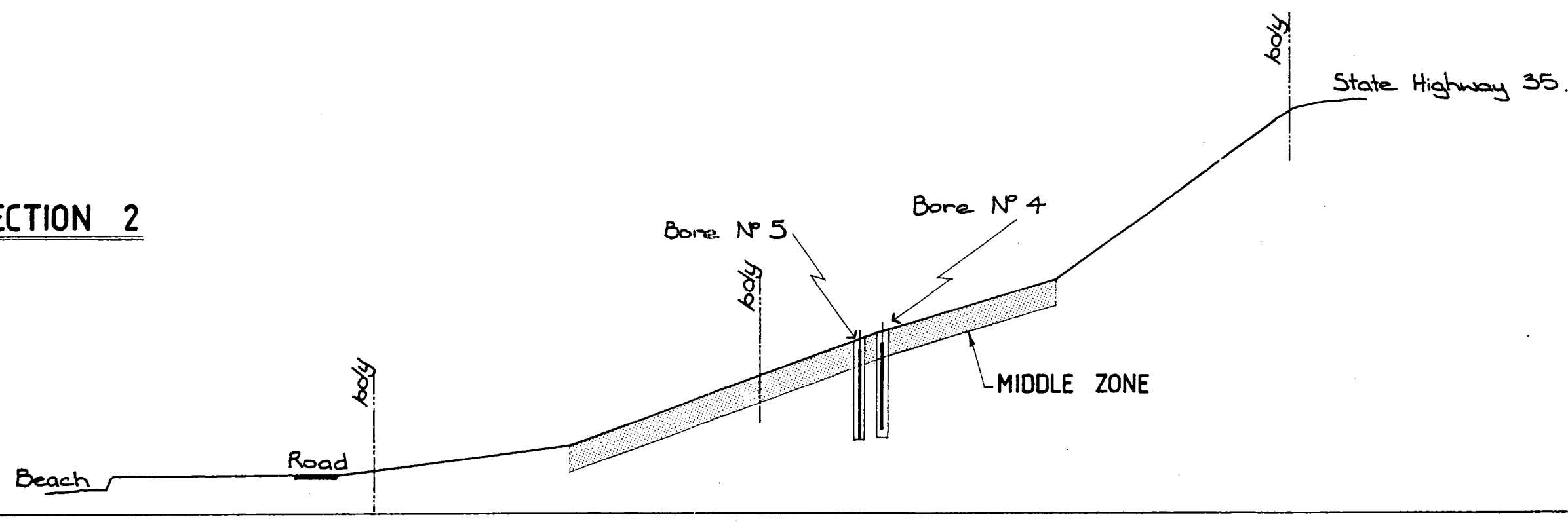
SECTION 1



50
40
30
20
10
0

metres
50
40
30
20
10
0

SECTION 2



50
40
30
20
10
0

Note: 0 metre datum was low tide mark as measured on 24/8/84 by Cook County Surveyors.

© Copyright 1986 KRTA Limited New Zealand

Rev Reason for Revision/Issue Drawn Ch'kd App'd Date

kirta KRTA Limited
Engineers Scientists Architects Planners
CPO Box 4498 Auckland PO Box 3582 Wellington

**COOK COUNTY COUNCIL
MAKORORI BEACH TOWNSHIP
SECTION LINES 1 & 2**

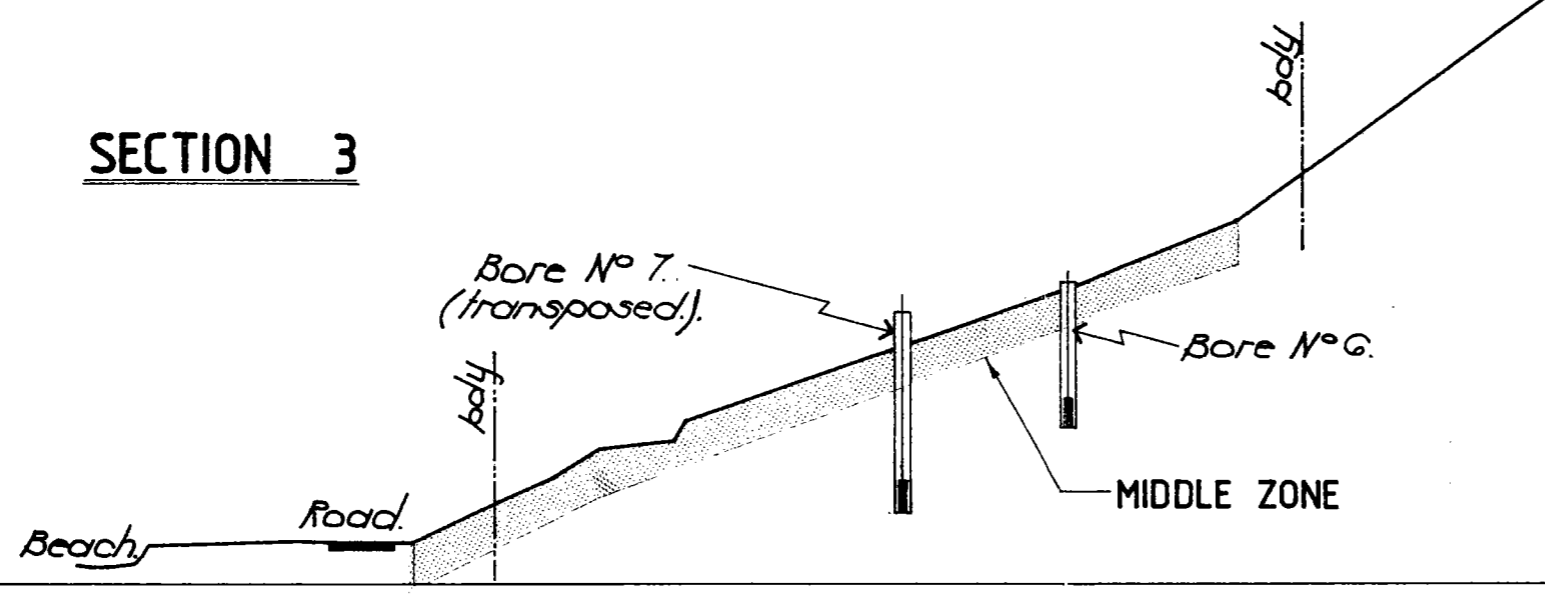
Designed	T.S.	Date	March '86.	Scales	1:500
Drawn	T.S.	Project	2535/1	Drawing	5
Checked	W.J.R.S.	Revision			
Approved	J. Shear				

The Contractor shall check and verify all dimensions against the job before commencing work

Original size 100mm

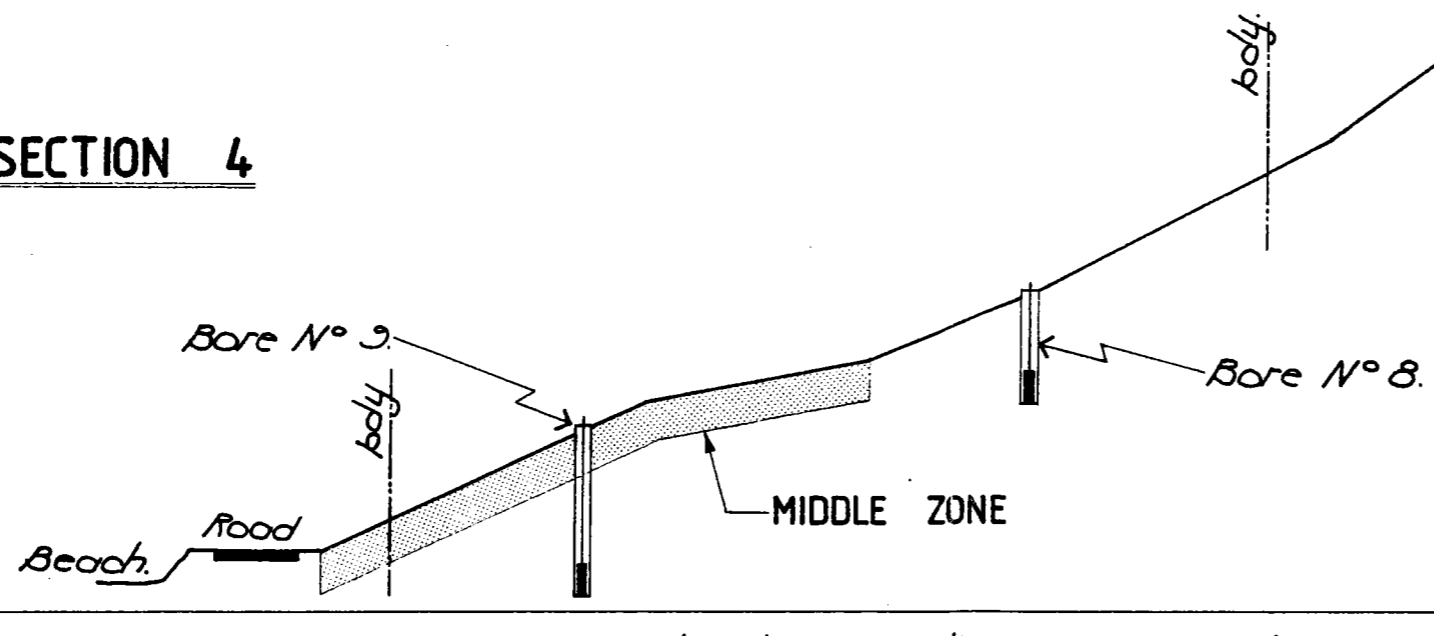
Metres.
50
40
30
20
10
0

SECTION 3



50
40
30
20
10
0

SECTION 4



Note: 0 metre datum was low tide mark as measured on 24/8/84 by Cook County Surveyors.

© Copyright 1986 KRTA Limited New Zealand

Rev . Reason for Revision/Issue . Drawn . Ch'kd . App'd . Date

kirta KRTA Limited
Engineers Scientists Architects Planners
CPO Box 4498 Auckland PO Box 3582 Wellington

COOK COUNTY COUNCIL
MAKORORI BEACH TOWNSHIP
SECTION LINES 3 & 4

Designed	W.J.R.S	Date	March '86.	Scales	1:500
Drawn	W.J.S	Project		Drawing	
Checked	W.J.R.S				
Approved	<i>J. Sheehy</i>	2535/1		6	

The Contractor shall check and verify all dimensions against the job before commencing work